



ZHEJIANG HANGCHA IMP. & EXP. CO., LTD.

Factory site: 666 Xiangfu Road,
Hangzhou, Zhejiang, China (311305)

Tel: +86-571-88926735 88926755
Fax: +86-571-88926789 88132890

sales@hcforklift.com
www.hcforklift.com



Follow us on
Facebook



Follow us on
YouTube



Follow us on
WeChat



ISO14001
ISO14001:2015



ISO9001
ISO9001:2015



HANGCHA trucks conform
to the European Safety
Requirements.

2019 VERSION 1 / COPYRIGHT 2019/12

HANGCHA GROUP CO., LTD. reserves the right to make any changes without notice concerning colors, equipment, or specifications detailed in this brochure, or to discontinue individual models. The colors of trucks, delivered may differ slightly from those in brochures.

Four-Wheel Drive Rough Terrain Forklift

with capacities of 2,500 to 3,500kg



The World of Hangcha
SINCE 1956



CONCEPT

The multipurpose concept refers to the capability of the forklift truck to work in many different areas, with a great performance no matter how hard the conditions are.

We studied all the specifications of the best forklifts in the world, specialized in industrial and rough terrain types, determining the characteristics that makes a forklift work well in an industrial environment. After that, we combined such information, to prepare the basis of the design of our product.

INTRODUCTION

Hangcha 2.5~3.5t 4W rough terrain forklifts is a tough, compact forklift with a four-wheel drive system. It is based on two-wheel drive rough terrain forklift. It is world renowned for superior performance, economy and longevity.



6 reasons

choose

Four-Wheel Drive

Rough Terrain Forklift

- ▶ **RELIABILITY**
- ▶ **PRODUCTIVITY**
- ▶ **ENVIRONMENTAL FRIENDLINESS**
- ▶ **COMFORTABLE OPERATION**
- ▶ **EASY MAINTENANCE**
- ▶ **HIGH PERFORMANCE**



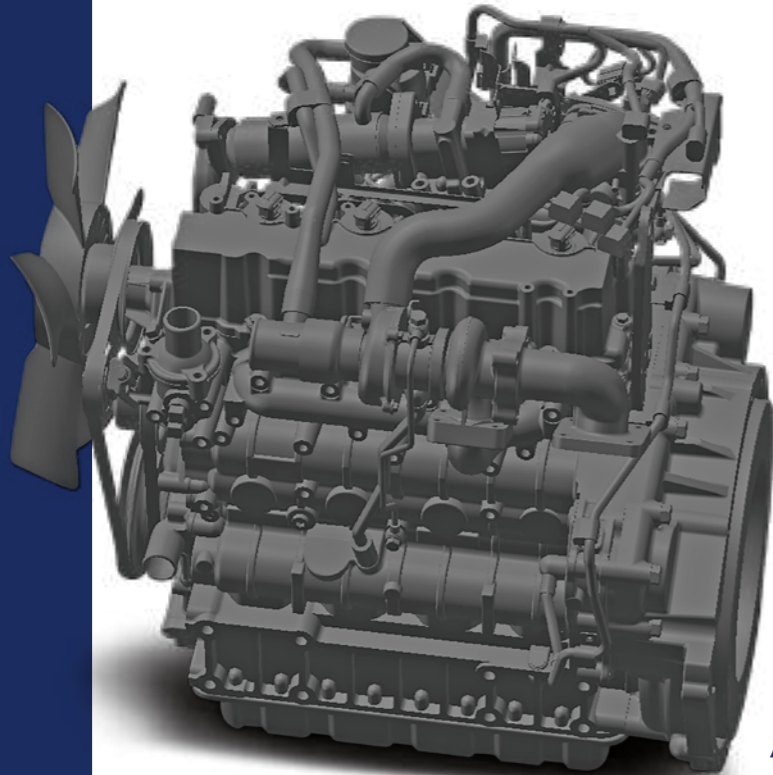
HANGCHA with you at every stage

Efficient, reliable solutions for your demands

STAGE V & TIER 4F

With Hangcha you can meet all Stage V/Tier 4f emissions standards which provides customer demands for value, innovation and performance. The technologies include common rail fuel systems, diesel oxidation catalysts (DOC) and diesel particulate filters (DPF). Designed and optimised to every engine model, our forklift truck maximises efficiency and reliability.

**Powerful/
Efficient/
Reliable**



KUBOTA



Interactive instrument: The instrument adopts 4.0-inch color LCD display with four interactive buttons, and has one CAN bus communication function. The communication protocol is compatible with SAE J1939 standards.



HANGCHA Forklift with StageV and T4F

No.	Capacity	Series	Manufacturer	Engine	Drive power	Model	Emission Std.	Transmission	Power (kw/rpm)
1	2.5-3.5t	RT	KUBOTA	V2607-CR-TE5B	Diesel	CPCD25/30/35-XW98C-RT4	StageV / Tier4 final	CHINA	47.3/2400

Note: RT means 2WD/4WD Rough Terrain forklift

RELIABILITY

The full-floating hydraulic transmission gearbox, with 2WD and 4WD switch function, can provide higher running speed and stronger gradeability;



Wide-base deep tread tyres

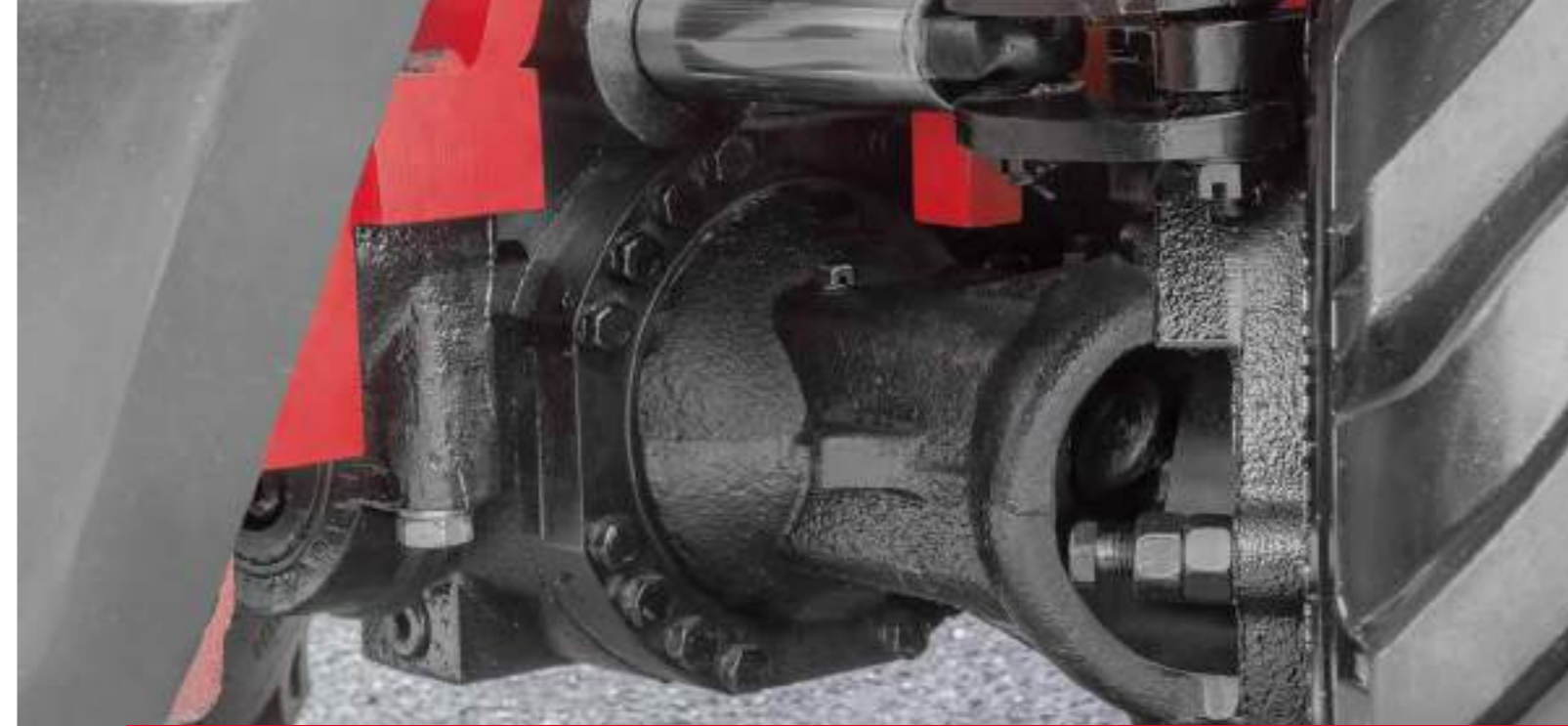
The drive axle is equipped with wide-base deep tread tyres, wet brake, differential mechanism with electronic lock, as well as reinforced steering drive axle, and can better adapt to special working conditions.

Front tyre:14-17.5

Rear tyre:10.0/75-15.3

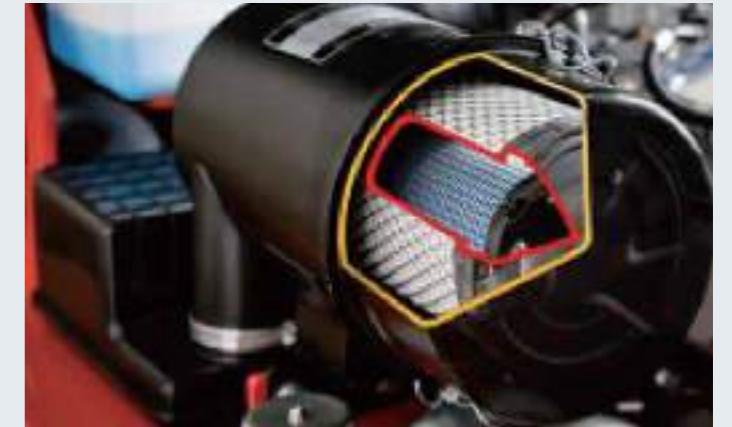


Higher specification fork mounting level-3B, more weight can be loaded.



Oscillating steer axle allows either wheel to step over obstacles keeping the truck and load level.

Dual air filter, extra capacity combined radiator with serpentine wave and optimized heat dissipation channel enhance the heat dissipation capability to keep engine reliability even in heavy-duty applications.



The differential is specifically designed for rough terrain and features manual differential lock providing ultimate traction during inclement weather conditions and rough operating surfaces, its differential lock prevents power loss when one wheel spins.



PRODUCTIVITY



The new Dynamic load sensing hydraulic steering system contributes to reduce loss of hydraulic and improve energy efficiency.



The new efficiency lighting system employs LED illuminant and new type reflector to reduce energy consumption, improve significantly illumination performance and prolong work time.



COMFORTABLE OPERATION

In developing the rough terrain forklift, comfort and easy operation is always considered, for example, improved vibrating levels, compound engine damper and full floating seat and cabin are all applied.

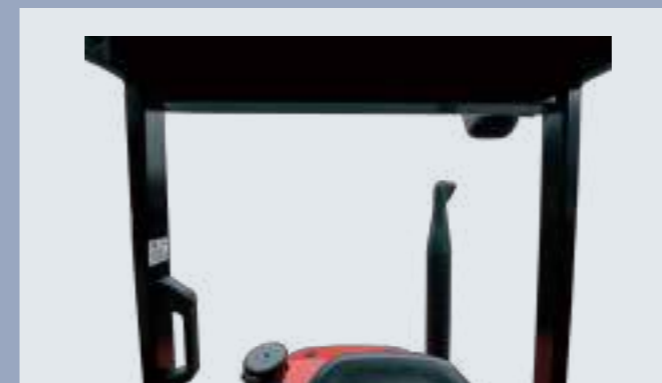
Comfortable also contribute to increased productivity and reduced the noise.



1. In addition to rubber damper between frames and steering axle, compound engine damper and full floating power train achieve flexible connection between frames and driving system, as a result, traveling vibrations and vibrations from the driving system are significantly reduced.



2. The extra foot space is provided to reduce operator fatigue significantly, non-slip step makes getting in and out easy and safe. The new designed steering wheel, new brake system and the easy-to-operate levers provide total handling operation.



3. Optimized designing structure to offer a good visibility.



4. The new design mast provides broad forward visibility due to the longer distance between inside mast.



EASY MAINTENANCE



Newly-developed LCD instrument has more comprehensive functions and more stable performance and entirely displays the full truck state, fault code and other important information, which can make the operator more intuitively and conveniently have a better knowledge of truck state and make the maintenance conveniently.



Adoption of new generation integrated electric box makes maintenance and repair convenient, layout becomes more reasonable and with better water-proof performance.



The easy-to-open hook provides quick access to the engine compartment.



Wet brake offers maximum service life for your brake system.

- / The cover on the Panel can be lifted up simply to check the brake fluid.
- / The two-piece design makes the floorboard easy to lift and remove for access to the power train.
- / The fasteners of the radiator cover can be turned easily by hand to enable quick inspections or servicing.



FOUR-WHEEL DRIVE ROUGH TERRAIN FORKLIFT



HIGH PERFORMANCE



Maneuverability

The distance to ground is 270mm for 3.0t, it offers greater maneuverability and keep the truck moving in the roughest of applications, and yet we keep a very low center of gravity, by using a distributed weight in the forklift, giving it an excellent stability.



Three forward gears

Suspension hydraulic transmission with three forward gears, top speed reach 26km/h.

Standard specification

- / Suspension transmission
- / Differential lock
- / 2-wheel drive、 4-wheel drive system
- / Suspension seat
- / Return oil filter
- / Big capacity aluminum radiator
- / Air filter
- / Rear working light
- / Warning lamp
- / Cover for tilt cylinder
- / Reversing assist grip
- / Wider fork carriage
- / Wider load backrest
- / LED light

Options

- / Cabin
- / Heater
- / Front window
- / L/R mirror
- / Extinguisher
- / Customer painting
- / OPS system
- / Sparkle arrester
- / Purified exhaust system
- / Auxiliary hydraulic valve
- / Front working light
- / Triplex wide view free-lift mast
- / Special forks
- / Weigher system
- / Attachments
- / Net cover of radiator

FOUR-WHEEL DRIVE ROUGH TERRAIN FORKLIFT SPECIFICATION:

			HANGCHA GROUP CO.,LTD.																								
Distinguishing mark	1.1	Manufacturer	HANGCHA GROUP CO.,LTD.																								
	1.2	Manufacturer's type designation	CPCD25-XW33C-RT4			CPCD30-XW33C-RT4			CPCD35-XW33C-RT4			CPCD25-XW43C-RT4			CPCD30-XW43C-RT4			CPCD25-XW98C-RT4			CPCD30-XW98C-RT4			CPCD35-XW98C-RT4			
	1.3	Drive: electric (battery or mains), diesel, petrol, fuel gas	Diesel																								
	1.4	Operator type: hand, pedestrian, standing, seated, order-picker	Seated																								
	1.5	Rated capacity/rated load	Q (kg)	2500			3000			3500			2500			3000			3500								
	1.6	Load centre distance	c (mm)	500			500			500			500			500			500								
	1.8	Load distance, centre of drive axle to fork	x (mm)	585			600			600			585			600			600								
	1.9	Wheelbase	y (mm)	1880			1880			1880			1880			1880			1880								
	2.1	Service Weight	kg	4850			5340			5600			4850			5340			5600								
Weight	2.2	Axle loading, laden front/rear	kg	6190/1160			7200/1140			7900/1200			6190/1160			7200/1140			6190/1160			7200/1140			7900/1200		
	2.3	Axle loading, unladen front/rear	kg	2130/2720			2340/3000			2300/3300			2130/2720			2340/3000			2130/2720			2340/3000			2300/3300		
	Tyres, chassis	3.1	Tyres: solid rubber, superelastic, pneumatic, polyurethane	Pneumatic																							
		3.2	Tyre size, front	12-16.5-14PR																							
		3.3	Tyre size, rear	10.0/75-15.3-14PR			10.0/75-15.3-14PR			10.0/75-15.3-14PR			10.0/75-15.3-14PR			10.0/75-15.3-14PR			10.0/75-15.3-14PR			10.0/75-15.3-14PR					
		3.5	Wheels, number front / rear (x = driven wheels)	2x/2x																							
		3.6	Tread, front	b10 (mm)	1250			1250			1250			1250			1250			1250							
		3.7	Tread, rear	b11 (mm)	1190			1190			1190			1190			1190			1190							
		Dimensions	4.1	Tilt of mast/fork carriage forward/backward	α/β(°)	10/12			10/12			10/12			10/12			10/12			10/12						
4.2			Height, mast lowered	h1 (mm)	2215			2350			2350			2215			2350			2350							
4.3			Free lift	h2 (mm)	140			145			145			140			145			145							
4.4	Lift		h3 (mm)	3000			3000			3000			3000			3000			3000								
4.5	Height, mast extended		h4 (mm)	4122			4142			4142			4122			4142			4142								
4.7	Height of overhead guard (cabin)		h6 (mm)	2390			2420			2420			2390			2420			2420								
4.19	Overall length		l1 (mm)	4305			4320			4320			4305			4320			4320								
4.20	Length to face of forks		l2 (mm)	3085			3100			3100			3085			3100			3100								
4.21	Overall width		b1 (mm)	1557			1599			1599			1557			1599			1599								
4.22	Fork dimensions ISO 2331		s/e/l (mm)	40×122×1220			50×122×1220			50×122×1220			40×122×1220			50×122×1220			50×122×1220								
4.23	Fork carriage DIN 15 173 --- ISO 2328, class/type A,B			B			B			B			B			B			B								
4.24	Fork-carriage width		b3 (mm)	1150			1150			1150			1150			1150			1150								
4.25	Distance between fork-arms		bs (mm)	290-1150			290-1150			290-1150			290-1150			290-1150			290-1150								
4.31	Ground clearance, laden, below mast		m1 (mm)	240			270			270			240			270			270								
4.32	Ground clearance, centre of wheelbase		m2 (mm)	260			290			290			260			290			290								
4.34	Aisle width	Ast (mm)	5305			5320			5320			5305			5320			5320									
4.35	Turning radius	Wa (mm)	3300			3300			3300			3300			3300			3300									
Performance data	5.1	Travel speed, laden/unladen	km/h	24/26			24/26			24/25			23/25			23/25			23/25								
	5.2	Lift speed, laden	m/s	0.62/0.64			0.49/0.51			0.43/0.51			0.62/0.64			0.47/0.51			0.45/0.51								
	5.3	Lowering speed, laden	m/s	0.5/0.44			0.5/0.45			0.5/0.45			0.5/0.44			0.5/0.45			0.5/0.45								
	5.5	Drawbar pull, laden	N	40000			45000			45000			40000			43000			42000			47000					
	5.7	Gradeability, laden	%	58			55			52			46			60			58			54					
	5.10	Service brake		Hydraulic																							
		Parking brake		Mechanical																							
Combustion-engine	7.1	Engine manufacturer/type	YANMAR 4TNE98			YANMAR 4TNE98			YANMAR 4TNE98			CUMMINS QSF2.8t3NA49			CUMMINS QSF2.8t3NA49			KUBOTA V2607-CR-TE5B			KUBOTA V2607-CR-TE5B			KUBOTA V2607-CR-TE5B			
	7.2	Engine power according to DIN ISO 1585	kw/r/min	42.1/2300			42.1/2300			42.1/2300			36.5/2500			36.5/2500			47.3/2400			47.3/2400			47.3/2400		
	7.3	Rated speed	Nm/r/min	196/1700			196/1700			196/1700			186/1500			186/1500			221.7/1500			221.7/1500			221.7/1500		
	7.4	Number of cylinders/displacement	(-)/ (cm³)	4/3319			4/3319			4/3319			4/2800			4/2800			4/2615			4/2615			4/2615		
	7.10	Battery voltage/nominal capacity	V/Ah	12/90			12/90			12/90			12/90			12/90			12/90			12/90			12/90		
Addition data	10.3	Hydraulic Tank - capacity (drain & refill)	liter	60			60			60			60			60			60			60			60		
	10.4	Fuel tank capacity	liter	60			60			60			60			60			55			55			55		

2.5-3.5t Mast:(pneumatic)

Type	Model	Max.fork height	Overall height								Free lift				Front Overhang		Tilt range		Capacity max height											
			Lowered (mm)		Extended				Without backrest (mm)		With backrest (mm)		(mm)		FWD	BWD	Load Center 500mm													
			mm		2.5t		3/3.5t		2.5t		3/3.5t		2.5t		3/3.5t		(°)	(°)	ISO 22915-2 Counterbalanced trucks with mast				ISO 22915-13 Rough-terrain trucks with mast							
Wide view mast	RTE25/35M300	3000	2215	2350	3782	3993	4122	4142	140	145	140	145	585	600	10	12	2500	3000	3500	2500	3000	3500								
	RTE25/35M330	3300	2365	2500	4082	4293	4422	4442	140	145	140	145	585	600	10	12	2500	3000	3500	2500	3000	3400								
	RTE25/35M350	3500	2465	2600	4282	4493	4622	4642	140	145	140	145	585	600	10	12	2500	3000	3500	2500	2800	3200								
	RTE25/35M370	3700	2615	2700	4482	4693	4822	4842	140	145	140	145	585	600	10	12	2500	3000	3500	2500	2600	2800								
	RTE25/35M400	4000	2815	2950	4782	4993	5122	5142	140	145	140	145	585	600	10	12	2500	3000	3400	2100	2400	2500								
Wide view full free triplex mast	RTE25/35N400	4000	2115	2300	4860	5025	5122	5269	1255	1275	993	1031	603	618	10	12	2500	2900	3300	2000	2300	2400								
	RTE25/35N430	4300	2215	2400	5160	5325	5422	5569	1355	1375	1093	1131	603	618	10	12	2400	2700	3000	1900	2100	2200								
	RTE25/35N450	4500	2265	2450	5360	5525	5622	5769	1405	1425	1143	1181	603	618	10	12	2200	2500	2900	1700	1900	1900								
	RTE25/35N470	4700	2365	2550	5560	5725	5822	5969	1505	1525	1243	1281	603	618	10	12	2000	2300	2700	1400	1500	1500								
	RTE25/35N500	5000	2515	2700	5860	6025	6122	6269	1655	1675	1393	1431	603	618	6	6	1900	2100	2500	1100	1200	1200								
	RTE25/35N550	5500	2715	2900	6360	6525	6622	6769	1855	1875	1593	1631	603	618	6	6	1500	1900	2300	800	900	900								
RTE25/35N600	6000	2965	3150	6860	7025	7122	7269	2105	2125	1843	1881	603	618	6	6	1200	1600	1900	600	700	700									

