



## A Series Pallet Truck Basic Range

with capacities of 2,000kg

### High Performance

- / AC travelling motor applied to provide excellent acceleration, good gradeability, low heat, no carbon brush and maintenance free.
- / The latest CURTIS AC control system provides accurate and stable control to work more efficient.
- / The applied CANBUS structure to offer more reliable and faster command access.
- / Regenerative brake and slope anti-slide function are offered by this truck.

### Comfort

- / The shock absorption design of foldable platform improves comfort greatly to the operator.
- / Simple and beautiful tiller designed to operate all functions easily even by one hand.
- / Displayed turtle speed function applied to move slowly and helps to stack goods in narrow spaces.
- / Optimized designing structure to offer a good visibility and easy entrance of the pallet.
- / The compact body and big rounded design provide an ideal operation in limited space, and the wedge designed chassis greatly increases the passing ability.

### Reliability

- / Five-pivot with low centre of gravity design and high strength steel frame structure chassis provide larger residual load capability and longer working life.
- / Water-proof plugs and connectors applied to provide a reliable protection to electric system.
- / The adopted unique floating suspension system ensures good driving wheels' grip and excellent stability.
- / Top quality hydraulic power unit applied to provide low noise, low vibration, smooth lifting and landing reliable operation.
- / Punch-formed forks to provide more strength and tip guide to provide higher efficient operation.
- / The power plug is fixed on the truck body to avoid damage from battery installment.

### Safety

- / With three braking types: releasing brake, reversing brake and emergency brake, the driving safety has been ensured.
- / The applied slope anti-slip function ensures the safety of the operation.
- / The emergency button on the tiller head can effectively avoid the harm to the driver.
- / The standard equipped electronic lifting limitation and intellectual control limitation to offer double protection to working motor and loads from damaging.



### Standard Specification

- |                            |  |
|----------------------------|--|
| / Horn                     | / Hydraulic power unit                 |
| / Pedal (only CBD20-AEC1S) | / 540mm outside fork width             |
| / AC drive wheel           | / Electronic lifting limitation        |
| / Tandem load wheels       | / Emergency disconnect switch          |
| / 1150mm fork length       | / Multi-function battery indicator     |
| / CURTIS AC controller     | / CAN-bus system multi-function tiller |

### Options

- / Load backrest
- / Guide roller of pallet
- / Handrail
- / 210Ah, 240Ah, battery
- / Different outside fork width (560mm, 600mm, 650mm, 680mm, 700mm)
- / Cold store protection (-30 C)
- / Different length of forks (1220mm, 1400mm, 1600mm, 2000mm, 2150mm, 2400mm)



Stand-on

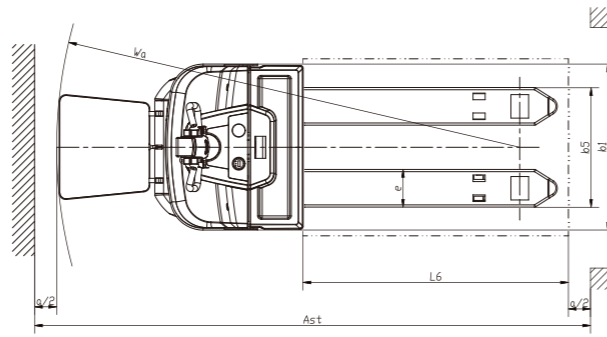
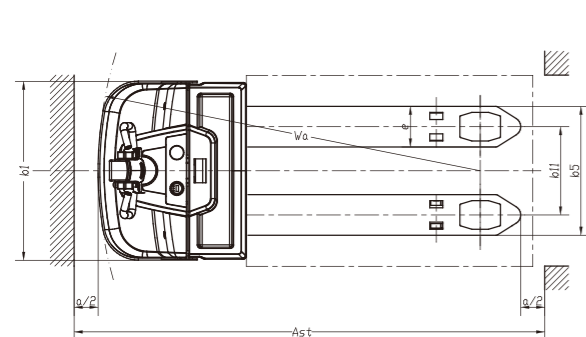
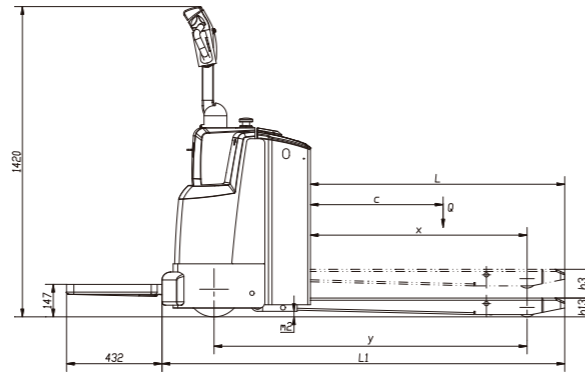
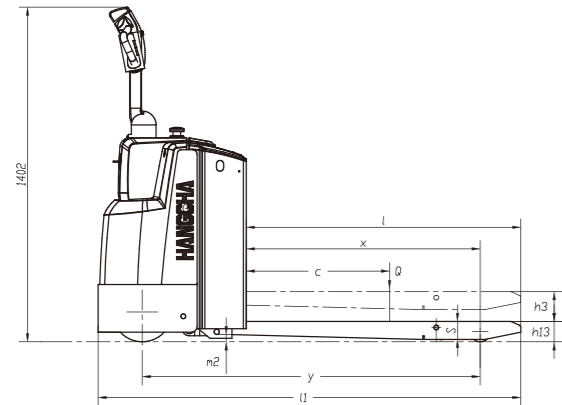


## A Series Pallet Truck Basic Range

Distinguishing mark			HANGCHA GROUP CO.,LTD.		
	1.1	Manufacturer		CBD20-AEC1S	CBD20-AEC1
1.2	Manufacturer's type designation		Standing	Pedestrian	
1.4	Operator type: hand, pedestrian, standing, seated, order-picker				
1.5	Rated capacity/rated load	Q (kg/lb)	2000/4409	2000/4409	
1.6	Load centre distance	c (mm/in)	600/23.6	600/23.6	
1.9	Wheelbase	y (mm/in)	1415/55.7	1415/55.7	
Weight	2.1	Service Weight	kg/lb	540/1190	490/1080
Tyres, chassis	3.1	Tyres: solid rubber, superelastic, pneumatic, polyurethane		PU	PU
	3.2	Tyre size, front	mm/in	Φ250x80/9.8x3.1	Φ250x80/9.8x3.1
	3.3	Tyre size, rear	mm/in	Φ85x70/3.3x2.8	Φ85x70/3.3x2.8
	3.4	Additional wheel (dimensions)	mm/in	Φ100x40/3.9x1.6	Φ100x40/3.9x1.6
	3.5	Wheels, number front / rear (x = driven wheels)		1x+2/4	1x+2/4
	3.6	Tread, front	b <sub>10</sub> (mm/in)	534/21	534/21
	3.7	Tread, rear	b <sub>11</sub> (mm/in)	370/14.6	370/14.6
Dimensions	4.4	Lift	h <sub>3</sub> (mm/in)	125/4.9	125/4.9
	4.15	Fork height,lowered	h <sub>13</sub> (mm/in)	85/3.3	85/3.3
	4.19	Overall length	l <sub>1</sub> (mm/in)	1820(2252)/71.7(88.7)	1770/69.7
	4.21	Overall width	b <sub>1</sub> (mm/in)	750/29.5	750/29.5
	4.22	Fork dimensions ISO 2331	s/e/l (mm/in)	64x170x1150(2.5x6.7x45.3)	64x170x1150(2.5x6.7x45.3)
	4.25	Distance between fork-arms	b <sub>s</sub> (mm/in)	540/680(21.3/26.8)	540/680(21.3/26.8)
	4.32	Ground clearance,center of wheelbase	m <sub>2</sub> (mm/in)	25/1	25/1
	4.34.1	Aisle width for pallets 1000 x 1200 crossways	A <sub>st</sub> (mm/in)	1967/77.4	1902/74.9
	4.34.2	Aisle width for pallets 800 x 1200 lengthways	A <sub>st</sub> (mm/in)	2017/79.4	1952/76.9
	4.35	Turning radius	W <sub>a</sub> (mm/in)	1597/62.9	1532/60.3
Performance data	5.1	Travel speed,laden/unladen	km/h(mph)	5.0/5.0(3.1/3.1)	5.0/5.0(3.1/3.1)
	5.2	Lift speed,laden/unladen	m/s(ft/min)	0.030/0.045(5.9/8.9)	0.030/0.045(5.9/8.9)
	5.3	Lowering speed,laden/unladen	m/s(ft/min)	0.050/0.035(9.8/6.9)	0.050/0.035(9.8/6.9)
	5.8	Max.Gradeability,laden/unladen	%	6/15	6/15
	5.10	Service brake		Eletromagnetic	Eletromagnetic
Electric engine	6.1	Drive motor rating S2 60 min	kw/hp	1.1/1.5	1.1/1.5
	6.2	Lift motor rating at S3 15%	kw/hp	0.8/1.1	0.8/1.1
	6.4	Battery voltage,rated capacity	V/Ah	24/165	24/165
8.1	Type of drive control		AC	AC	
9.1	Manufacturer		CURTIS	CURTIS	

Note: 1). When fork lowered,+68mm/+2.68in

2). When fork lowered,+40mm/+1.57in



## A Series Pallet Truck Basic Range

with capacities of 2,000kg