



ZHEJIANG HANGCHA IMP. & EXP. CO., LTD.

Factory site: 666 Xiangfu Road,
Hangzhou, Zhejiang, China (311305)

Tel: +86-571-88926735 88926755
Fax: +86-571-88926789 88132890

sales@hcforklift.com
www.hcforklift.com



Follow us on
Facebook



Follow us on
YouTube



Follow us on
WeChat



ISO14001
ISO14001:2015



ISO9001
ISO9001:2015



HANGCHA trucks conform
to the European Safety
Requirements.

2020 VERSION ZCOPYRIGHT 2020/05

HANGCHA GROUP CO., LTD. reserves the right to make any changes without notice concerning colors, equipment, or specifications detailed in this brochure, or to discontinue individual models. The colors of trucks, delivered may differ slightly from those in brochures.



Two-Wheel Drive Rough Terrain Forklift

with capacities of 2,500 to 3,500kg

The World of Hangcha



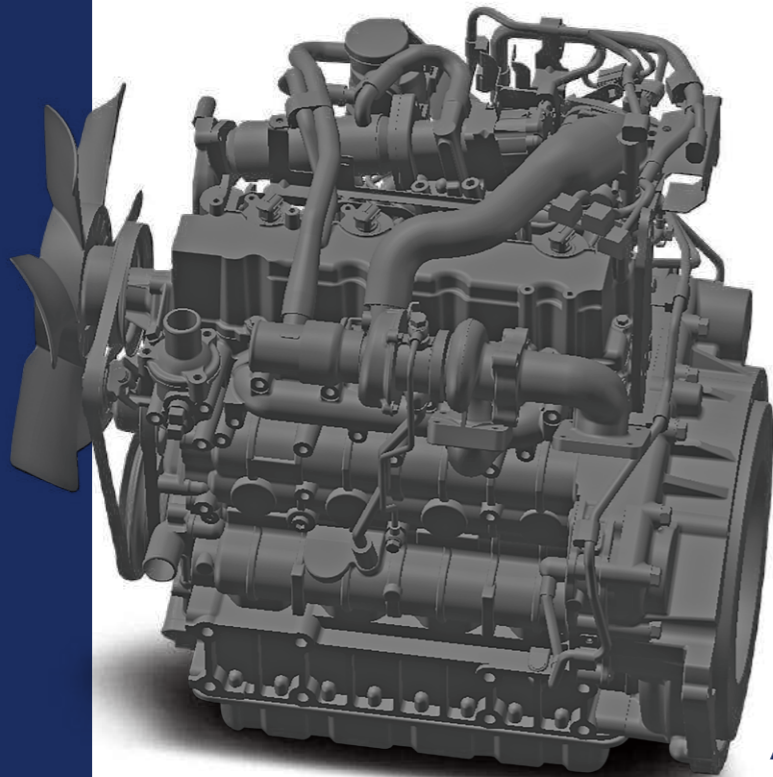
HANGCHA be with you at every stage

Efficient, reliable solutions for your demands

STAGE V & TIER 4F

With Hangcha you can meet all Stage V/Tier 4f emissions standards which provides customer demands for value, innovation and performance. The technologies include common rail fuel systems, diesel oxidation catalysts (DOC) and diesel particulate filters (DPF). Designed and optimised to every engine model, our forklift truck maximises efficiency and reliability.

**Powerful/
Efficient/
Reliable**



KUBOTA



Interactive instrument: The instrument adopts 4.0-inch color LCD display with four interactive buttons, and has one CAN bus communication function. The communication protocol is compatible with SAE J1939 standards.



HANGCHA Forklift with StageV and T4F

No.	Capacity	Series	Manufacturer	Engine	Drive power	Model	Emission Std.	Transmission	Power (kw/rpm)
1	2.5-3.5t	RT	KUBOTA	V2607-CR-TE5B	Diesel	CPCD25/30/35-XW98E-RT2	StageV / Tier4 final	CHINA	47.3/2400

Note: RT means 2WD/4WD Rough Terrain forklift

Two-Wheel Drive Rough Terrain Forklift

Hangcha 2.5~3.5t rough terrain forklifts is a tough, compact forklift with a two-wheel drive system. It is based on XF series IC forklift truck. It is world renowned for superior performance, economy and longevity.

Simple/Solid/
Smart



Reliability

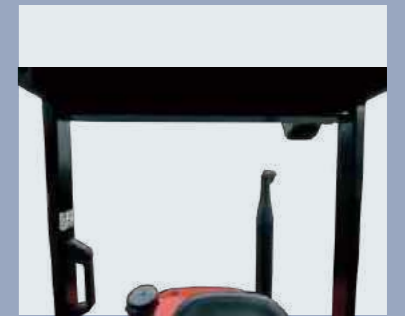
- / Suspension hydraulic transmission with two forward gears and one reverse, providing higher speed and greater gradeability; Drive axle is equipped with wide-base and deep tread tires, enhanced brakes, bearings, differential with automatic locking function, as well as enhanced steering axle assembly providing ultimate traction during inclement weather conditions and rough operating surfaces.
- / Dual air filter\extra capacity combined radiator with serpentine wave and optimized heat dissipation channel enhance the heat dissipation capability to keep engine reliability even in heavy-duty applications. Oscillating steer axle allows either wheel to step over obstacles keeping the truck and load level, high ground clearance offers greater maneuverability and keeps the truck moving in the roughest of applications.
- / The new vehicle controller integrates all electrical components, features excellent durability for temperature\water and vibration, and the oil filter\return oil filter are all work for the most demanding operation.

Environmental friendliness

- / Each model employs a specially developed engine for the optimum balance of power and superior environmental performance, the truck is in compliance with EU III and EAP III control regulation.
- / The environment friendly materials, such as non-asbestos brake shoe and new type sealing gasket, are adopted entirely to meet environmental safety. And the noise level is reduced too.



The new efficiency lighting system employs LED illuminant and new type reflector to reduce energy consumption, improve significantly illumination performance and prolong work time



Optimized designing structure to offer a good visibility and easy entrance of the pallet



The new designed steering wheel\ new brake system and the easy-to-operate levers provide total handling operation



The easy-to-open hook provides quick access to the engine compartment



The large, spacious cab of our new boasts left and right grab handles with wide-opening doors for easy access

Productivity

/ The new Dynamic load sensing hydraulic steering system contributes to reduce loss of hydraulic and improve energy efficiency.

Easy maintenance

/ The cover on the Panel can be lifted up simply to check the brake fluid.
 / The two-piece design makes the floorboard easy to lift and remove for access to the power train.
 / The fasteners of the radiator cover can be turned easily by hand to enable quick inspections or servicing.

Comfortable operation

/ In developing the rough terrain forklift, comfort and easy operation is always considered, for example, improved vibrating levels, compound engine damper and full floating seat and cabin are all applied. Comfortable also contribute to increased productivity and reduced the noise.
 / The extra foot space is provided to reduce operator fatigue significantly, non-slip step makes getting in and out easy and safe.
 / The new design mast provides broad forward visibility due to the longer distance between inside mast.

Options

/ Cabin
 / Heater
 / Front window
 / L/R mirror
 / Extinguisher
 / Customer painting
 / OPS system
 / Sparkle arrester
 / Auxiliary hydraulic valve
 / Front working light
 / Triplex wide view free-lift mast
 / Special forks
 / Weigher system
 / Attachments

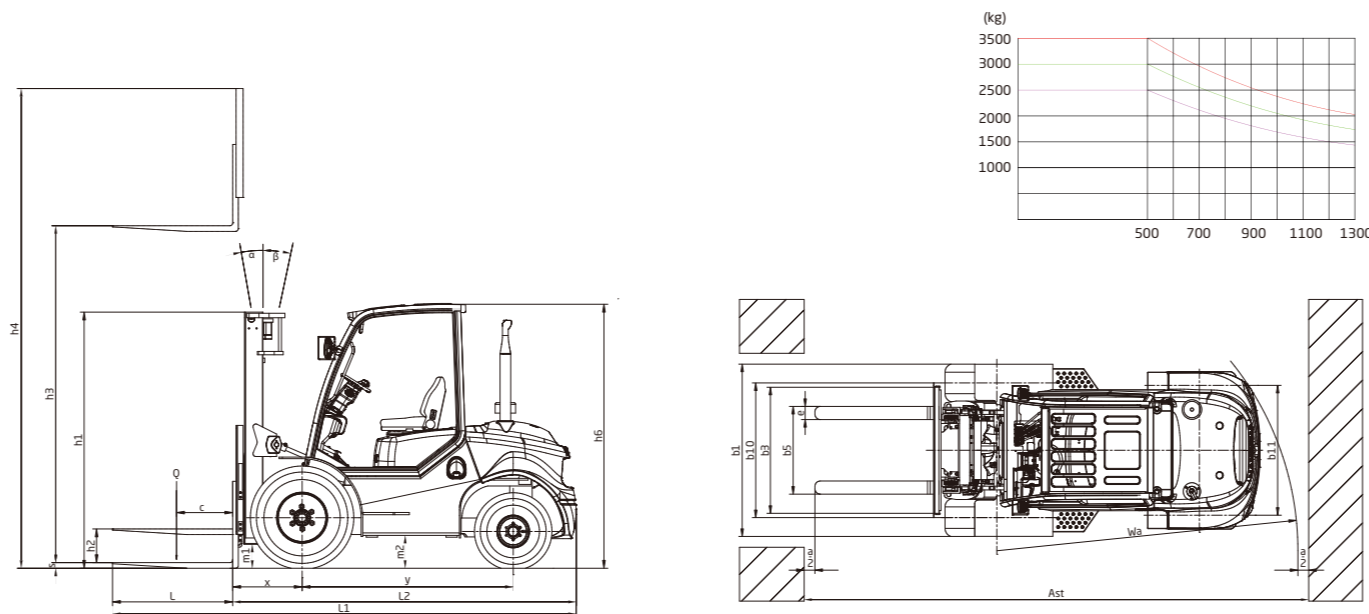
Two-Wheel Drive Rough Terrain Forklift

Distinguishing mark	1.1 Manufacturer	HANGCHA GROUP CO.,LTD.								
		CPD25-XW33E-RT	CPD30-XW33E-RT	CPD35-XW33E-RT	CPD25-XW43E-RT	CPD30-XW43E-RT	CPD25-XW98E-RT2	CPD30-XW98E-RT2	CPD35-XW98E-RT2	
1.2	Manufacturer's type designation	Diesel	Diesel	Diesel	Diesel	Diesel	Diesel	Diesel	Diesel	
1.3	Drive: electric (battery or mains), diesel, petrol, fuel gas	Seated	Seated	Seated	Seated	Seated	Seated	Seated	Seated	
1.4	Operator type: hand, pedestrian, standing, seated, order-picker	2500	3000	3500	2500	3000	3500	2500	3000	
1.5	Rated capacity/rated load	Q (kg)	Q (kg)	Q (kg)	Q (kg)	Q (kg)	Q (kg)	Q (kg)	Q (kg)	
1.6	Load centre distance	c (mm)	500	500	500	500	500	500	500	
1.8	Load distance, centre of drive axle to fork	x (mm)	585	600	600	585	600	585	600	
1.9	Wheelbase	y (mm)	1880	1880	1880	1880	1880	1880	1880	
2.1	Service Weight	kg	4670	5120	5380	4670	5120	5380	4670	
2.2	Axle loading, laden front/rear	kg	6050/1120	7080/1040	7800/1080	6050/1120	7080/1040	7800/1080	6050/1120	
2.3	Axle loading, unladen front/rear	kg	2010/2660	2300/2820	2280/3100	2010/2660	2300/2820	2280/3100	2010/2660	
3.1	Tyres: solid rubber, superelastic, pneumatic, polyurethane		Pneumatic	Pneumatic	Pneumatic	Pneumatic	Pneumatic	Pneumatic	Pneumatic	
3.2	Tyre size, front		12-16.5-14PR	14-17.5-14PR	14-17.5-14PR	12-16.5-14PR	14-17.5-14PR	14-17.5-14PR	12-16.5-14PR	
3.3	Tyre size, rear		27*10-12-12PR	27*10-12-12PR	27*10-12-12PR	27*10-12-12PR	27*10-12-12PR	27*10-12-12PR	27*10-12-12PR	
3.5	Wheels, number front / rear (x = driven wheels)		2x/2	2x/2	2x/2	2x/2	2x/2	2x/2	2x/2	
3.6	Tread, front	b10 (mm)	1250	1250	1250	1250	1250	1250	1250	
3.7	Tread, rear	b11 (mm)	1200	1200	1200	1200	1200	1200	1200	
4.1	Tilt of mast/fork carriage forward/backward	α/β(°)	10/12	10/12	10/12	10/12	10/12	10/12	10/12	
4.2	Height, mast lowered	h1 (mm)	2215	2350	2350	2215	2350	2350	2215	
4.3	Free lift	h2 (mm)	140	145	145	140	145	145	140	
4.4	Lift	h3 (mm)	3000	3000	3000	3000	3000	3000	3000	
4.5	Height, mast extended	h4 (mm)	4122	4142	4142	4122	4142	4142	4122	
4.7	Height of overhead guard (cabin) Std.	h6 (mm)	2390	2420	2390	2390	2420	2390	2420	
4.7	Height of overhead guard (cabin) Opt.	h6 (mm)	2240	2270	2270	2240	2270	2270	2240	
4.19	Overall length	l1 (mm)	4205	4220	4220	4205	4220	4220	4205	
4.20	Length to face of forks	l2 (mm)	2985	3000	3000	2985	3000	3000	2985	
4.21	Overall width	b1 (mm)	1557	1599	1599	1557	1599	1599	1557	
4.22	Fork dimensions	s/e/l (mm)	40*122*1220	50*122*1220	50*122*1220	40*122*1220	50*122*1220	50*122*1220	40*122*1220	
4.23	Fork carriage DIN 15 173 --- ISO 2328, class/type A,B		B	B	B	B	B	B	B	
4.24	Fork-carriage width	b3 (mm)	1150	1150	1150	1150	1150	1150	1150	
4.25	Distance between fork-arms	b5 (mm)	290-1150	290-1150	290-1150	290-1150	290-1150	290-1150	290-1150	
4.31	Ground clearance, laden, below mast	m1 (mm)	240	270	270	240	270	270	240	
4.32	Ground clearance, centre of wheelbase	m2 (mm)	270	300	300	270	300	300	270	
4.34	Aisle width	Ast (mm)	4885	4900	4900	4885	4900	4900	4885	
4.35	Turning radius	Wa (mm)	2900	2900	2900	2900	2900	2900	2900	
5.1	Travel speed, laden/unladen	km/h	24/26	26/28	26/28	24/26	24/26	26/28	24/26	
5.2	Lift speed, laden/unladen	m/s	0.620/0.640	0.490/0.510	0.430/0.510	0.620/0.640	0.490/0.510	0.620/0.640	0.515/0.530	
5.3	Lowering speed, laden/unladen	m/s	0.500/0.440	0.500/0.450	0.500/0.450	0.500/0.440	0.500/0.450	0.500/0.450	0.500/0.450	
5.5	Drawbar pull, laden	N	21000	22000	23000	21000	22000	23000	21000	
5.7	Gradeability, laden	%	27	22	22	26	21	32	30	
5.10	Service brake		Hydraulic	Hydraulic	Hydraulic	Hydraulic	Hydraulic	Hydraulic	Hydraulic	
5.10	Parking brake		Mechanical	Mechanical	Mechanical	Mechanical	Mechanical	Mechanical	Mechanical	
7.1	Engine manufacturer/type		YANMAR 4TNE98	YANMAR 4TNE98	YANMAR 4TNE98	CUMMINS QSF2.8I3NA49	CUMMINS QSF2.8I3NA49	KUBOTA V2607-CR-TE5B	KUBOTA V2607-CR-TE5B	
7.2	Engine power according to DIN ISO 1585	kw/r/min	42.1/2300	42.1/2300	42.1/2300	36.5/2500	36.5/2500	47.3/2400	47.3/2400	
7.3	Rated speed	N·m/r/min	196/1700	196/1700	196/1700	186/1500	186/1500	221.7/1500	221.7/1500	
7.4	Number of cylinders/displacement	(-)/(cm ³)	4/3319	4/3319	4/3319	4/2800	4/2800	4/2615	4/2615	
7.10	Battery voltage/nominal capacity	V/Ah	12/90	12/90	12/90	12/90	12/90	12/90	12/90	
10.3	Hydraulic Tank - capacity (drain & refill)	liter	65	65	65	65	65	50	50	
10.4	Fuel tank capacity	liter	65	65	65	65	65	50	50	



Standard specification

/ Suspension transmission
 / Overhead gaurd
 / Suspension seat
 / Return oil filter
 / Big capacity aluminum radiator
 / Air filter
 / Rear working light
 / Warning lamp
 / Cover for tilt cylinder
 / Net cover of radiator
 / Reversing assist grip
 / Wider fork carriage
 / Wider load backrest
 / LED light



2.5-3.5t Mast:(pneumatic)

Type	Model	Max.fork height	Overall height						Free lift				Front Overhang		Tilt range	
			Lowered (mm)		Extended		Without backrest		With backrest		(mm)		FWD	BWD		
			2.5t	3/3.5t	2.5t	3/3.5t	2.5t	3/3.5t	2.5t	3/3.5t	2.5t	3/3.5t	(°)	(°)		
Wide view mast	RTE25/35M300	3000	2215	2350	3782	3993	4122	4142	140	145	140	145	585	600	10	12
	RTE25/35M330	3300	2365	2500	4082	4293	4422	4442	140	145	140	145	585	600	10	12
	RTE25/35M350	3500	2465	2600	4282	4493	4622	4642	140	145	140	145	585	600	10	12
	RTE25/35M370	3700	2615	2700	4482	4693	4822	4842	140	145	140	145	585	600	10	12
	RTE25/35M400	4000	2815	2950	4782	4993	5122	5142	140	145	140	145	585	600	10	12
Wide view full free triplex mast	RTE25/35N400	4000	2115	2300	4860	5025	5122	5269	1255	1275	993	1031	603	618	10	12
	RTE25/35N430	4300	2215	2400	5160	5325	5422	5569	1355	1375	1093	1131	603	618	10	12
	RTE25/35N450	4500	2265	2450	5360	5525	5622	5769	1405	1425	1143	1181	603	618	10	12
	RTE25/35N470	4700	2365	2550	5560	5725	5822	5969	1505	1525	1243	1281	603	618	10	12
	RTE25/35N500	5000	2515	2700	5860	6025	6122	6269	1655	1675	1393	1431	603	618	6	6
	RTE25/35N550	5500	2715	2900	6360	6525	6622	6769	1855	1875	1593	1631	603	618	6	6
RTE25/35N600	6000	2965	3150	6860	7025	7122	7269	2105	2125	1843	1881	603	618	6	6	