

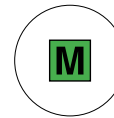


WEIGHING SOLUTIONS FOR LOGISTICS

CATALOGUE

TPWI HYGIENX

FOOD, CHEMICAL AND
PHARMACEUTICAL INDUSTRY



MANUFACTURED
IN ITALY

AISI 304 stainless steel pallet truck scale specifically designed for environments with high hygiene requirements, such as the food industry food, chemical and pharmaceutical industries.

Choose it because:

- Made with IP69K load cells, hermetically sealed, for maximum protection against water and corrosion
- Fully washable and sanitizable
- Approved for legal-for-trade use

M	Max. Capacity (kg)	d (kg)	e (kg)
	2.000 [1.000 - 2.000]	0,2 – 0,5	
M	2.000 [1.000 - 2.000]		0,5 - 1

M Legal for trade.

Other special capacities / resolutions: upon request.

Other special versions: upon request.

Main Functions

- WEIGHT TOTALISATION
- PIECE COUNTING
- UNIT CONVERTER: kg/lb, free conversion factor
- UP TO 20 TARE MEMORY
- ZEROING
- TARE
- PRESET TARE

Main Features

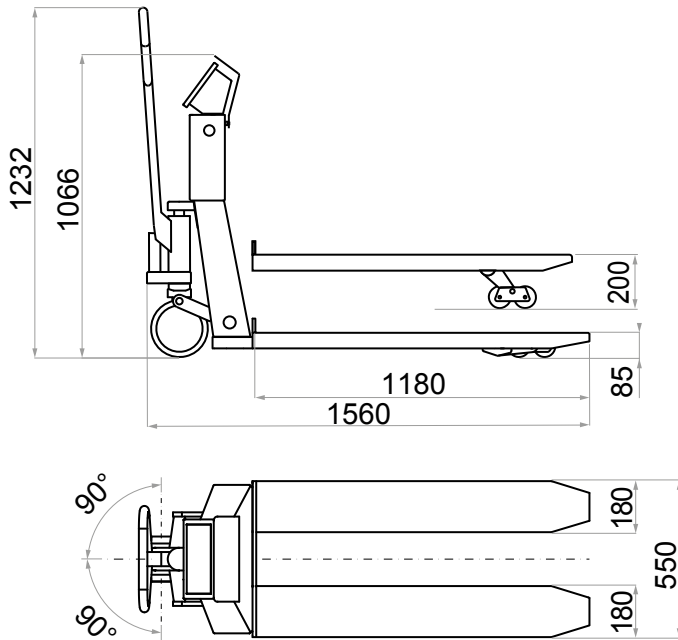
Display	25 mm LCD backlit display	
Brightness	Adjustable brightness	
IP protection rating	IP68 / IP69K	
Accuracy*	Internal use	± 0,5 kg
	Legal for trade M	In accordance with Directive 2014/31/EU
Keyboard	17 numeric-functional waterproof keyboard	
Structure	Body	AISI 304 stainless steel
	Forks	AISI 304 stainless steel
Steering wheels	Double nylon rollers with polyurethane coating	
Load wheels	Double nylon loading rollers with polyurethane coating	
Lift pump	AISI 304 Stainless steel quick-lifting hydraulic pump	
Load cells	4, in stainless steel, with IP69K protection	
Auto switch-off	Programmable	
Power supply	Integrated rechargeable battery	
Operating time	About 100 h	
Battery recharge	Via a 230 Vac 50 Hz charger (12 h for full recharge) with EU, UK, AU and US power plugs	
Operating temperature range	-10 / +40 °C	
Communication to external devices	Optional radio-frequency, Wi-Fi or Bluetooth	

(*) Weighing of goods on EUROPALLET with distributed load.

Certifications

- 2006/42/EU (Machine Directive)
- 2014/30/EU (EMC)
- 2014/35/EU (LVD)
- 2011/65/EU (RoHS)
- 2014/31/EU (NAWI)

Technical Drawing (mm)



Accessories

- BLUETOOTH INTERFACE
- RADIO 2,4 GHz INTERFACE
- Wi-Fi
- PC SOFTWARE FOR DATA STORAGE
- FISCAL MEMORY
- STAINLESS STEEL PARKING BRAKE
- VULKOLLAN STEERING WHEELS
- STAINLESS STEEL THERMAL PRINTER (IP65)