

## High Performance

- / AC travelling motor applied to provide excellent acceleration, good gradeability, low heat, no carbon brush and maintenance free.
- / The latest CURTIS AC control system provides accurate and stable control to work more efficient.
- / The applied CANBUS structure to offer more reliable and faster command access.
- / Regenerative brake and slope anti-slide function are offered by this truck.
- / Stand-on type with high power drive motor, provides fast travel speed and good gradeability.

## Reliability

- / Four-pivot with low centre of gravity design and high strength steel frame structure chassis provide larger residual load capacity and longer working life.
- / Water-proof plugs and connectors applied to provide a reliable protection to electric system.
- / The adopted unique floating suspension system ensures good driving wheels grip and excellent.
- / Top quality hydraulic power unit applied to provide low noise, low vibration, smooth lifting and landing reliable operation.
- / Punch-formed forks to provide more strength and tip guide to provide higher efficient operation.
- / H-type mast profile section to provide more stable and rigid performance.
- / The power plug is fixed on the truck body to avoid damage from battery installment.
- / Pedestrian type use the new design drive system, the drive motor will not accompany the tiller rotation, it can keep all the cable connect to the drive motor avoid being bent.
- / Using non-contact proximity switch, it can provides long life and reliable operation.

## Comfort

- / The shock absorption design of foldable platform improves comfort greatly to the operator.
- / The new designed floating suspension driving system, adjustable automatically with loads, offers the driving wheels sufficient power.
- / Simple and beautiful tiller designed to operate all functions easily even by one hand.
- / Displayed turtle speed function applied to move slowly and helps to stack goods in narrow spaces.
- / Optimized designing structure to offer a good visibility and easy entrance of the pallet.
- / The compact body and big rounded design provide an ideal operation in limited space, and the wedge designed chassis greatly increases the passing ability.
- / Customer can choose different width of outside fork and length of forks to fit variable pallet.

## Safety

- / With three braking types: releasing brake, reversing brake and emergency brake, the driving safety has been ensured.
- / The applied slope anti-slip function ensures the safety of the operation.
- / The emergency button on the tiller head can effectively avoid the harm to the driver.
- / Soft landing system applied to offer protection to the loads from damaging.
- / Turning speed is automatically reduced when steering only for stand-on.
- / Turtle speed function can keep the slow move when the tiller is vertical direction, the truck can stack goods even in narrow space.
- / Travel speed will be automatically reduced after fork lifting 500mm.

## Maintenance

- / AC motor with no cabin brush, don't need maintenance, lower cost.
- / Rear cover can be completely open, operator can see all the components, so the maintenance is very convenient.
- / All shafts installed lubricated shaft sleeve and oil cup, provide convenient maintenance and long service life.

## Standard Specification

- / Horn
- / AC drive motor
- / Battery
- / PU drive wheel
- / Tandem wheels
- / Fork lift & lower adopts stepless speed regulating
- / Pedal and handrail
- / Soft landing system
- / 1150mm fork length
- / CURTIS AC controller
- / Hydraulic power unit
- / 570mm outside fork width
- / Emergency disconnect switch
- / Multi-function battery indicator
- / CAN-bus system multi-function tiller
- / Electric steering (stand on pallet stacker)

## Options

- / Load backrest
- / Mast protection
- / 240Ah, 340Ah battery
- / Different width of outside fork
- / Different mast lifting heights
- / Cold store protection (-30°C)
- / Side way battery change
- / Different length of forks
- / Overhead guard

## 2.0t Hi Range Pallet Stacker Truck Specification:

Mast Type	Max Lifting Height h <sub>2</sub>	Max. fork height (h <sub>3</sub> +h <sub>13</sub> )	Lowered Height h <sub>1</sub>	Extended Height h <sub>4</sub>	Free lift	Load Capacity at 600mm
						2.0t
Double Cylinder duplex wide view	2000	2090	1647	3647	90	2000
	2500	2590	1897	3147	90	2000
	2700	2790	1997	3347	90	1800
	3000	3090	2147	3647	90	1600
	3300	3390	2297	3947	90	1350
	3500	3590	2397	4147	90	1180
	3600	3690	2447	4247	90	1100
	3800	3890	2547	4447	90	980
	4000	4090	2747	4747	90	950
	4300	4390	2897	5047	90	860
	4500	4590	2997	5247	90	760
Duplex full wide view	2000	2090	1700	2700	1090	2000
	2500	2590	1950	3200	1340	2000
	2700	2790	2050	3400	1440	1800
	3000	3090	2200	3700	1590	1600
	3300	3390	2350	4000	1740	1350
	3500	3590	2450	4200	1840	1180
	3600	3690	2500	4300	1890	1100
Triplex full wide view	3500	3590	1944	4314	1130	1180
	3700	3790	2009	4509	1200	1020
	4000	4090	2109	4809	1300	950
	4300	4390	2209	5109	1400	860
	4500	4590	2259	5259	1500	760
	4700	4790	2359	5559	1500	680
	5000	5090	2454	5844	1610	570
	5200	5290	2509	6009	1700	510
	5500	5590	2609	6309	1800	400



ZHEJIANG HANGCHA IMP. & EXP. CO., LTD.

Factory site: 666 Xiangfu Road, Hangzhou, Zhejiang, China (311305)

Tel: +86-571-88926735 88926755  
Fax: +86-571-88926789 88132890

sales@hcforklift.com  
www.hcforklift.com



Follow us on Facebook



Follow us on YouTube



Follow us on WeChat



ISO14001  
ISO14001:2015



ISO9001  
ISO9001:2015



HANGCHA trucks conform to the European Safety Requirements.

HANGCHA GROUP CO., LTD. reserves the right to make any changes without notice concerning colors, equipment, or specifications detailed in this brochure, or to discontinue individual models. The colors of trucks, delivered may differ slightly from those in brochures.

2018 VERSION ZCOPYRIGHT 201812



## A Series Pallet Stacker Truck Hi Range

with capacities of 1,200 to 2,000kg

The World of Hangcha



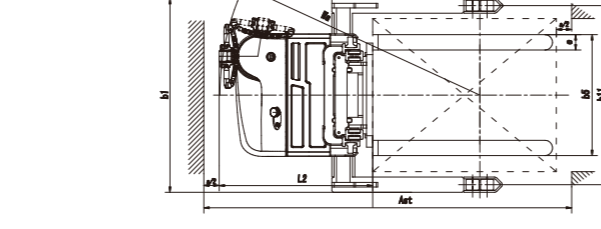
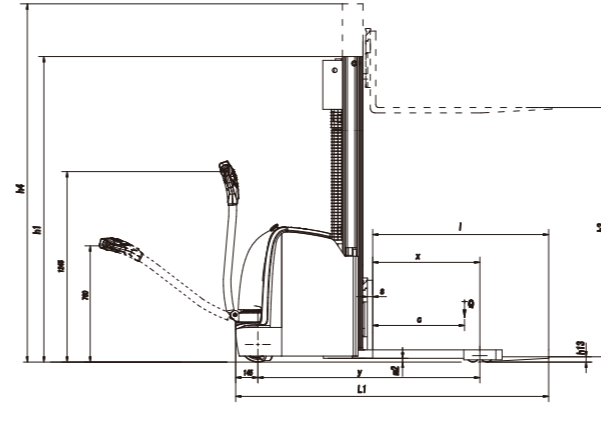
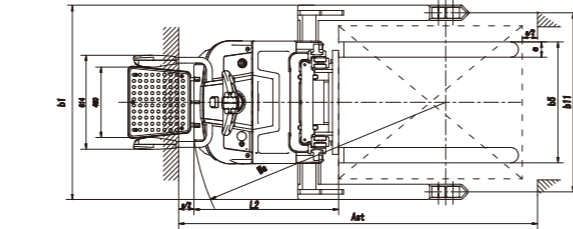
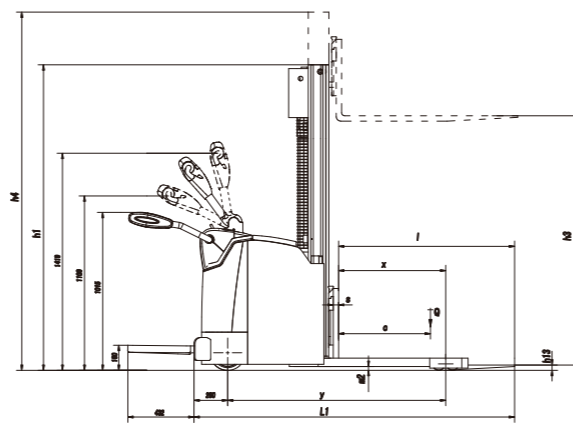
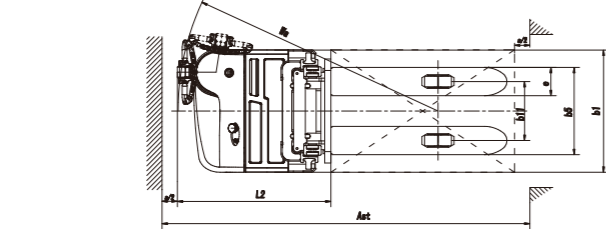
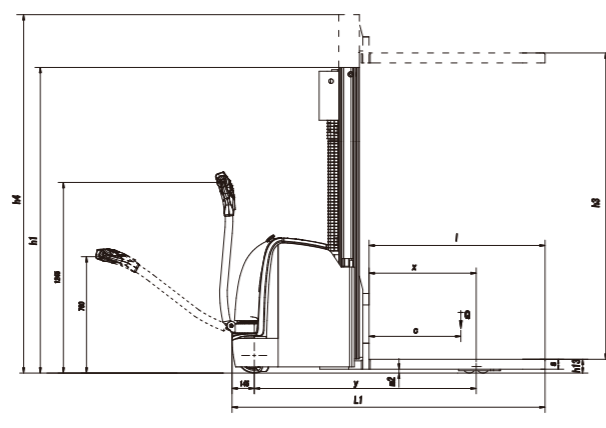
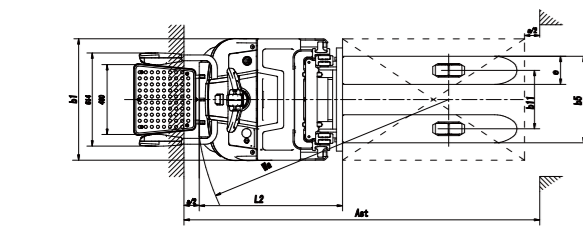
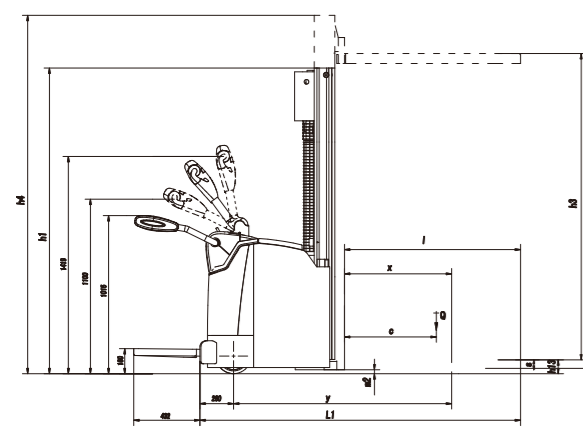
## A Series Pallet Stacker Truck Hi Range

		HANGCHA GROUP CO.,LTD.																			
Distinguishing mark	1.1	Manufacturer																			
	1.2	Manufacturer's type designation	CDD12-AC1S	CDD14-AC1	CDD16-AC1S	CDD18-AC1	CDD16-AC1S	CDD16-AC1	CDD20-AC1S	CDD20-AC1	CTD12-AC1S	CTD12-AC1	CTD14-AC1S	CTD14-AC1	CTD16-AC1	CTD16-AC1S	CTD16-AC1	CTD20-AC1S	CTD20-AC1		
Weight	1.4	Operator type: hand, pedestrian, standing, seated, order-picker	Standing	Pedestrian	Standing	Pedestrian	Standing	Pedestrian	Standing	Pedestrian	Standing	Pedestrian	Standing	Pedestrian	Stand-on	Pedestrian	Stand-on	Pedestrian			
	1.5	Rated capacity/rated load	Q (kg)	1200	1200	1400	1400	1600	1600	2000	2000	1200	1200	1400	1400	1600	1600	2000	2000		
Tyres, chassis	1.6	Load centre distance	c (mm)	600	600	600	600	600	600	600	600	600	600	600	600	600	600	600			
	1.9	Wheelbase	y (mm)	1425	1425	1425	1425	1425	1425	1425	1425	1425	1425	1425	1425	1425	1425	1425			
Dimensions	3.1	Tyres: solid rubber, superelastic, pneumatic, polyurethane	PU	PU	PU	PU	PU	PU	PU	PU	PU	PU	PU	PU	PU	PU	PU	PU			
	3.2	Tyre size, front	Ø230x75	Ø230x75	Ø230x75	Ø230x75	Ø230x75	Ø230x75	Ø230x75	Ø230x75	Ø230x75	Ø230x75	Ø230x75	Ø230x75	Ø230x75	Ø230x75	Ø230x75	Ø230x75			
	3.3	Tyre size, rear	Ø85x70	Ø85x70	Ø85x70	Ø85x70	Ø85x70	Ø85x70	Ø85x70	Ø85x70	Ø85x70	Ø85x70	Ø85x70	Ø85x70	Ø85x70	Ø85x70	Ø85x70	Ø85x70			
	3.4	Additional wheel (dimensions)	Ø140x55	Ø140x55	Ø140x55	Ø140x55	Ø140x55	Ø140x55	Ø140x55	Ø140x55	Ø140x55	Ø140x55	Ø140x55	Ø140x55	Ø140x55	Ø140x55	Ø140x55	Ø140x55			
	3.5	Wheels, number front / rear (x = driven wheels)	1x+1/4	1x+1/4	1x+1/4	1x+1/4	1x+1/4	1x+1/4	1x+1/4	1x+1/4	1x+1/4	1x+1/4	1x+1/4	1x+1/4	1x+1/4	1x+1/4	1x+1/4	1x+1/4			
	3.6	Tread, front	b10 (mm)	525	525	525	525	525	525	525	525	525	525	525	525	525	525	525			
	3.7	Tread, rear	b11 (mm)	385	385	385	385	385	385	385	1000/1170/1370	1000/1170/1370	1000/1170/1370	1000/1170/1370	1000/1170/1370	1000/1170/1370	1000/1170/1370	1000/1170/1370			
Performance data	4.4	Lift	h3 (mm)	2700	2700	2700	2700	2700	2700	2700	2700	2700	2700	2700	2700	2700	2700	2700			
	4.15	Fork height, lowered	h13 (mm)	90	90	90	90	90	90	90	50	50	50	50	50	50	50	50			
	4.19	Overall length	l1 (mm)	2095 <sup>1)</sup>	2050 <sup>1)</sup>	2095 <sup>1)</sup>	2050 <sup>1)</sup>	2095 <sup>1)</sup>	2050 <sup>1)</sup>	2095 <sup>1)</sup>	2050 <sup>1)</sup>	2095 <sup>1)</sup>	2050 <sup>1)</sup>	2095 <sup>1)</sup>	2050 <sup>1)</sup>	2095 <sup>1)</sup>	2050 <sup>1)</sup>	2095 <sup>1)</sup>			
		4.21	Overall length(unfold the pedal)	l1 (mm)	2527 <sup>1)</sup>	2527 <sup>1)</sup>	2527 <sup>1)</sup>	2527 <sup>1)</sup>	2527 <sup>1)</sup>	2527 <sup>1)</sup>	2527 <sup>1)</sup>	2482 <sup>1)</sup>	2482 <sup>1)</sup>	2482 <sup>1)</sup>	2482 <sup>1)</sup>	2482 <sup>1)</sup>	2482 <sup>1)</sup>	2482 <sup>1)</sup>	2482 <sup>1)</sup>		
				b1 (mm)	800	800	800	800	800	800	800	800	1100/1270/1470	1100/1270/1470	1100/1270/1470	1100/1270/1470	1100/1270/1470	1100/1270/1470	1100/1270/1470	1100/1270/1470	
		4.22	Fork dimensions ISO 2331	s/erl (mm)	65/185/1150	65/185/1150	65/185/1150	65/185/1150	65/185/1150	65/185/1150	65/185/1150	35/100/1070	35/100/1070	35/100/1070	35/100/1070	35/100/1070	35/100/1070	40/122/1070	40/122/1070		
				bs (mm)	570/680	570/680	570/680	570/680	570/680	570/680	570/680	570/680	570/680	210-790	210-790	210-790	210-790	210-790	210-790	210-790	210-790
		4.32	Ground clearance, centre of wheelbase	m2 (mm)	30	30	30	30	30	30	30	30	40	40	40	40	40	40	40	40	
				4.34.1	Aisle width for pallets 1000 x 1200 crossways	Ast (mm)	2312 <sup>1)</sup>	2318 <sup>1)</sup>	2312 <sup>1)</sup>	2318 <sup>1)</sup>	2312 <sup>1)</sup>	2318 <sup>1)</sup>	2312 <sup>1)</sup>	2318 <sup>1)</sup>	2312 <sup>1)</sup>	2318 <sup>1)</sup>	2312 <sup>1)</sup>	2318 <sup>1)</sup>	2312 <sup>1)</sup>	2318 <sup>1)</sup>	2312 <sup>1)</sup>
		4.34.2	Aisle width for pallets 800 x 1200 lengthways	Ast (mm)	2362 <sup>1)</sup>	2368 <sup>1)</sup>	2362 <sup>1)</sup>	2368 <sup>1)</sup>	2362 <sup>1)</sup>	2368 <sup>1)</sup>	2362 <sup>1)</sup>	2368 <sup>1)</sup>	2362 <sup>1)</sup>	2368 <sup>1)</sup>	2362 <sup>1)</sup>	2368 <sup>1)</sup>	2362 <sup>1)</sup>	2368 <sup>1)</sup>	2362 <sup>1)</sup>	2368 <sup>1)</sup>	
				4.35	Turning radius	Wa (mm)	1662	1668	1662	1668	1662	1668	1662	1668	1662	1668	1662	1668	1662	1668	1662
	Electric engine	5.1	Travel speed,laden/unladen	km/h	7.0/7.0	6.0/6.0	7.0/7.0	6.0/6.0	7.0/7.0	6.0/6.0	7.0/7.0	6.0/6.0	7.0/7.0	6.0/6.0	7.0/7.0	6.0/6.0	7.0/7.0	6.0/6.0	7.0/7.0	6.0/6.0	
		5.2	Lift speed,laden/unladen	m/s	0.0870/0.133	0.0870/0.133	0.1290/0.198	0.1290/0.198	0.0980/0.160	0.0980/0.160	0.0870/0.133	0.0870/0.133	0.1290/0.198	0.1290/0.198	0.0980/0.160	0.0980/0.160	0.0870/0.133	0.0870/0.133	0.1290/0.198	0.1290/0.198	
5.3		Lowering speed,laden/unladen	m/s	0.1550/0.158	0.1550/0.158	0.2130/0.200	0.2130/0.200	0.1850/0.155	0.1850/0.155	0.1950/0.155	0.1950/0.155	0.1550/0.158	0.1550/0.158	0.2130/0.200	0.2130/0.200	0.1850/0.155	0.1850/0.155	0.1950/0.155	0.1950/0.155		
5.8		Max Gradeability,laden/unladen	%	10/16	Ø16	Ø16	Ø16	Ø16	Ø16	Ø16	Ø16	Ø16	Ø16	Ø16	Ø16	Ø16	Ø16	Ø16	Ø16	Ø16	
		6.1	Drive motor rating S2 60 min	kW	2.2	1.5	2.2	1.5	2.2	1.5	2.2	1.5	2.2	1.5	2.2	1.5	2.2	1.5	2.2	1.5	
					6.2	Lift motor rating at S3 15%	kW	2.2	2.2	3	3	3	3	2.2	2.2	3	3	3	3	3	3
6.3		Steering motor power	kW				0.2	0.2	0.2	0.2	0.2	0.2	0.2	0.2	0.2	0.2	0.2	0.2	0.2	0.2	0.2
		6.4	Battery voltage,rated capacity (Lead-acid)	V/Ah	24/280	24/240	24/280	24/240	24/280	24/240	24/280	24/240	24/280	24/240	24/280	24/240	24/280	24/240	24/280	24/240	24/280
				Battery voltage,rated capacity,Optional	V/Ah	~24/340	~24/340	~24/340	~24/340	~24/340	~24/340	~24/340	~24/340	~24/340	~24/340	~24/340	~24/340	~24/340	~24/340	~24/340	~24/340
8.1		Type of drive control	AC	AC	AC	AC	AC	AC	AC	AC	AC	AC	AC	AC	AC	AC	AC	AC	AC	AC	
9.1	Manufacturer	CURTIS/ZAPI	CURTIS/ZAPI	CURTIS/ZAPI	CURTIS/ZAPI	CURTIS/ZAPI	CURTIS/ZAPI	CURTIS/ZAPI	CURTIS/ZAPI	CURTIS/ZAPI	CURTIS/ZAPI	CURTIS/ZAPI	CURTIS/ZAPI	CURTIS/ZAPI	CURTIS/ZAPI	CURTIS/ZAPI	CURTIS/ZAPI	CURTIS/ZAPI	CURTIS/ZAPI		

Note: 1) Triplex Mast+21mm

## Li-Ion Battery Specification

Type		CDD12-AC1S-1	CDD14-AC1S-1	CDD16-AC1S-1	CDD20-AC1S-1	CTD12-AC1S-1	CTD14-AC1S-1	CTD16-AC1S-1	CTD20-AC1S-1
Li-Ion battery	V/Ah	24/150	24/150	24/150	24/150	24/150	24/150	24/150	24/150
Li-Ion battery,Optional	V/Ah	24/200	24/200	24/200	24/200	24/200	24/200	24/200	24/200



## 1.2-1.6t Hi Range Pallet Stacker Truck Specification:

Mast Type	Max Lifting Height h3	Max. fork height (h3+h13)	Lowered Height h1	Extended Height h4	Free lift	Load Capacity at 600mm		
						1.2t	1.4t	1.6t
Double cylinder duplex wide view	mm	mm	mm	mm	mm	Kg	Kg	Kg
	2000	2090	1542	2542	90	1200	1400	1600
	2500	2590	1792	3042	90	1200	1400	1600
	2700	2790	1892	3242	90	1200	1400	1600
	3000	3090	2042	3542	90	1200	1400	1600
	3300	3390	2192	3842	90	1200	1200	1300
	3500	3590	2292	4042	90	1070	1070	1130
	3600	3690						