



HANGCHA GROUP CO., LTD.

Factory site: 666 Xiangfu Road,
Hangzhou, Zhejiang, China (311305)

Tel: +86-571-88926735 88926755
Fax: +86-571-88926789 88132890

sales@hcforklift.com
www.hcforklift.com



Follow us on
Facebook



Follow us on
YouTube



Follow us on
WeChat



Download "Hangcha
Forklift" App



ISO14001
ISO14001:2015



ISO9001
ISO9001:2015



HANGCHA trucks conform
to the European Safety
Requirements.

2024 VERSION 2/COPYRIGHT 2024/03

HANGCHA GROUP CO., LTD. reserves the right to make any changes without notice concerning colors, equipment, or specifications detailed in this brochure, or to discontinue individual models. The colors of trucks, delivered may differ slightly from those in brochures.



Self-propelled Electric Scissor Lifts

Aerial work platform

The World of Hangcha



Self-propelled Electric Scissor Lifts

HANGCHA self-propelled electric scissor lifts are the high efficient, safe and ideal solution for modern industry. Ideal for maneuvering in tight Spaces, they're excellent for indoor and outdoor application, all the functions, lifting, lowering, steering, forward and backward are under operator's control. Easy maintenance and service after opening the battery cover, all key parts are easy access. With low noise level, and high reliability, HANGCHA self-propelled electric scissor lifts are always your best partner.



**Easy/
Efficiency/
Economy**



Joystick(HANGCHA)



Extension platform



Hydraulic and electric system



Battery



Brake



Traction motor



Supporting arms: To protect the operator when he is doing repair or maintenance job



Explosion proof valve: To prevent the machine falling when the oil pipe is leaking



Manual lowering valve: When the operation system failed or the battery power is too low to let the platform decline, we can use this valve to lower the machine



Manual release valve: When the machine can not move, you can push the machine after pressing this valve



Anti-overturning system: When the machine raises to more than 6.5ft, this system will work automatically, to protect the machine from overturning while walking at un-leveling ground.



Angle sensor: when it is lifting and walking on the slope, the sensor will automatically judge the status of the machine, if the angle is larger than the rated angle, it will alarm to remind the operator.

Characteristics

- / The proportional control system: Control the speed Of Traveling, lifting and lowering as you need.
- / Control box: This box is including the function Of Traveling and lifting, when you use the joystick, you can Operate the machine With only one hand.
- / Self-leveling sensor. When the degree is more than 1.5° (horizontal direction)/ 3°(vertical direction), it will alarm.
- / LED display: Easy for maintenance, you can do the trouble shooting without another handle unit.

Standard Equipment

- / The lifting system
- / The proportional control
- / Anti-overturning system
- / Control box
- / Internal Charger
- / Hour meter
- / Alarm light
- / Maintenance free battery(Lead-acid)

Options

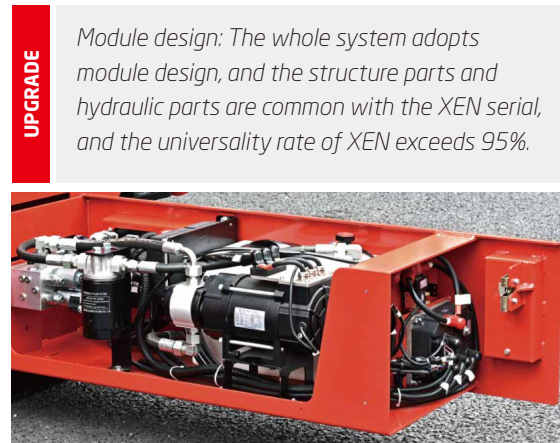
- / Working lights(two lights)
- / Socket device on the basket
- / Leakage protector for socket
- / Beeper
- / Warning tape
- / Anti-overload system(Required by CE)
- / Imported brand control system
- / Air pipe to basket
- / Anti-explosion modification
- / Special color customization

Application

- / Locomotive maintenance station, airport, power station, gym, big company ect.

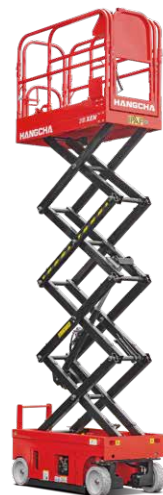
AC hydraulic drive

- / Safety: Fully sealed AC system, sensor real-time monitoring of the whole machine, more secure use.
- / High efficiency: AC system, high conversion efficiency, energy consumption is 15-20% lower than DC motor, the efficiency of the whole machine is improved by 8-10%.
- / Waterproof: The fully sealed AC system is customized according to the working condition of the high-altitude working platform. The waterproof grade is IP67, and the waterproof ability is good.
- / Maintenance-free: brushless motor design, standard lithium battery power, 5 years warranty, life maintenance free.
- / Easy maintenance: rotary side door and intelligent control system, more convenient maintenance.



UPGRADE

Module design: The whole system adopts module design, and the structure parts and hydraulic parts are common with the XEN serial, and the universality rate of XEN exceeds 95%.



78XEN



100XENS



160XEN



Battery



Standard: Maintenance free battery (lead acid)				
	65XEN	78XEN	80XENS	100XENS
Battery(4x6v)	24V,200Ah	24V,200Ah	24V,200Ah	24V,200Ah

Standard: Maintenance free battery (lead acid)						
	80XEN	100XEN	120XEN	140XEN	160XEN	160XENS
Battery(4x12v)	24V,200Ah	24V,200Ah	24V,200Ah	24V,200Ah	24V,200Ah	24V,200Ah



Option: Lithium battery				
	65XEN	78XEN	80XENS	100XENS
Battery(HANGCHA)	25.6V,160ah	25.6V,160ah	25.6V,160ah	25.6V,160ah

Option: Lithium battery						
	80XEN	100XEN	120XEN	140XEN	160XEN	160XENS
Battery(HANGCHA)	25.6V,230ah	25.6V,230a	25.6V,230ah	25.6V,230ah	25.6V,230ah	25.6V,230ah

Self-propelled Electric Scissor Lifts

HANGCHA GROUP CO.,LTD.											
01	Manufacturer	HANGCHA GROUP CO.,LTD.									
02	Model	65XEN	78XEN	80XENS	100XENS	80XEN	100XEN	120XEN	140XEN	160XEN	160XENS
03	Maximum load capacity(outdoor/indoor)	kg	320	230	380	230	450	450	320	320	230
04	Maximum load capacity of extended platform	kg	113	113	113	113	113	113	113	113	113
05	Maximum number of workers		indoor2 outdoor1	indoor2 outdoor1	indoor2	indoor2	indoor2 outdoor1	indoor2 outdoor1	indoor2 outdoor1	indoor2	indoor2
06	Height,working	m	6.5	7.8	8	10	8	10	12	13.8	15.7
07	Height, platform	m	4.5	5.8	6	8	6	8	10	11.8	13.7
08	Length	m	1.89	1.89	2.48	2.48	2.48	2.48	2.48	2.48	2.84
09	Width	m	0.81	0.81	0.81	0.81	1.15	1.15	1.15	1.15	1.4
10	Height(Guardrail Unfolded)	m	2.09	2.2	2.21	2.35	2.22	2.36	2.49	2.62	2.62
11	Height(Guardrail Folded)	m	1.66	1.77	1.77	1.91	1.66	1.79	1.92	2.05	2.05
12	Working dimensions	m	1.67*0.76	1.67*0.76	2.27*0.76	2.27*0.76	2.27*1.14	2.27*1.14	2.27*1.14	2.27*1.14	2.64*1.14
13	Length, extended maximum	m	0.9	0.9	0.9	0.9	0.9	0.9	0.9	0.9	0.9
14	Wheel base	m	1.36	1.36	1.87	1.87	1.87	1.87	1.87	1.87	2.22
15	Ground distance	cm	77/16	77/16	100/16	100/16	100/20	100/20	100/20	100/20	100/20
16	Turning radius(inside)	m	0	0	0	0	0	0	0	0	0
17	Turning radius(outside)	m	1.64	1.64	2.1	2.1	2.2	2.2	2.2	2.2	2.7
18	Drive speeds	km/h	0-3.5	0-3.5	0-3.5	0-3.5	0-3.5	0-3.5	0-3.5	0-3.5	0-3
19	Up time	s	20±2	20±2	25±2	30±2	30±2	35±3	50±3	55±5	65±5
20	Down time	s	25±4	20±4	30±4	28±5	40±5	35±5	60±5	55±7	68±7
21	Lifting speed (unladen)	m/s	0.16-0.19	0.21-0.26	0.18-0.21	0.21-0.24	0.15-0.21	0.18-0.21	0.16-0.18	0.17-0.21	0.17-0.2
22	Descending speed (unladen)	m/s	0.12-0.16	0.19-0.29	0.14-0.18	0.2-0.29	0.11-0.14	0.17-0.22	0.13-0.16	0.17-0.21	0.16-0.2
23	Motor model		JXQD-3.5-NG	JXQD-3.5-NG	JXQD-3.5-NG	JXQD-3.5-NG	JXQD-3.5-NG	JXQD-3.5-NG	JXQD-3.5-NG	JXQD-3.5-NG	JXQD-3.5-NG
24	Motor rated power	kw	3.5	3.5	3.5	3.5	3.5	3.5	3.5	3.5	3.5
25	Battery	V/Ah	24/200	24/200	24/200	24/200	24/200	24/200	24/200	24/200	24/200
26	Charger	V/A	24/36	24/36	24/36	24/36	24/36	24/36	24/36	24/36	24/36
27	Maximum slope rating	%	25	25	25	25	25	25	25	25	25
28	Maximum allowable inclination	°	1.5/3°	1.5/3°	1.5/3°	1.5/3°	1.5/3°	1.5/3°	1.5/3°	1.5/3°	1.5/3°
29	Tire size	mm	305*100	305*100	381*127	381*127	381*127	381*127	381*127	381*127	381*127
30	Weight	kg	1390	1470	2000	2170	2130	2310	2710	3000	3240

