

## TM INOX

Stainless steel electric pallet truck with compact and very low shape



**A RICHIESTA**

**MAXIMUM OPERATOR VISIBILITY, SUITABLE FOR INTENSIVE USE**

Intended to be used in environments where cleanliness and hygiene are essential conditions and where there are problems of corrosion.

Performance, safety and stability, hygiene and easy cleaning. All made with:

- Lever links, masts and lifting cylinder fully made of **stainless steel** or non-corrosive material
- **Waterproof bonnet** and tiller arm with protection degree against water sprays
- AISI 304 cast **stainless steel gearbox casing**
- **AC** alternating current **traction motor**
- Spring loaded central drive wheel with adjustable load, for **efficient ground contact** at all times
- Electronic and hydraulic **components protected against water sprays**
- Plastic push-button control box **resistant to corrosive agents** and protected

**UPON REQUEST**

- Cold store version (upon request)

✓ **LOAD CAPACITY UP TO 2.000 KG**

✓ **SPECIAL CONSTRUCTIONS UPON REQUEST**

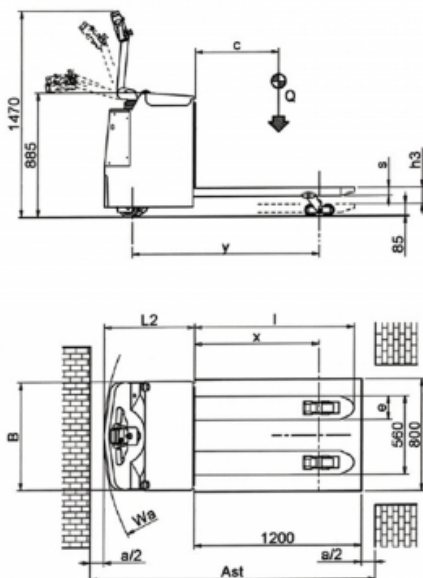
✓ **SPECIAL DIMENSIONS UPON REQUEST**

**SOME OPTIONALS**

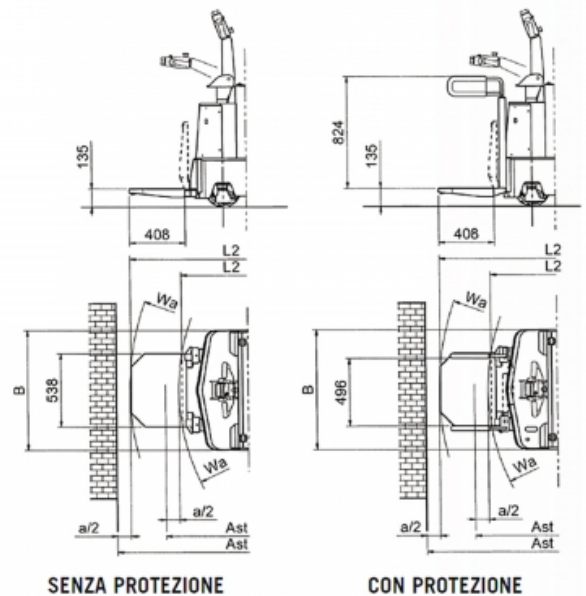
-  OPERATOR TRANSPORT PLATFORM
-  LITHIUM BATTERY
-  SCALE/PRINTER
-  USE IN COLD STORE

<b>Type</b>	Stainless steel forklift trucks	<b>Class</b>	Stainless steel pallet trucks for normal-intensive use
<b>Load capacity (Kg)</b>	2000	<b>Lifting capacity (mm)</b>	130

**VERSIONE STANDARD**



**VERSIONE CON PEDANA OPERATORE**



## Characteristics

	1.1	Manufacturer			SAMAG	
					TM INOX	TM INOX P.O.
<b>Characteristics</b>	1.2	Manufacturer's type designation			TM INOX	TM INOX P.O.
	1.3	Drive: electric (battery or mains), diesel, petrol, fuel gas				Electric
	1.4	Operator type: hand, pedestrian, standing, seated, order-picker				pedestrian
	1.5	Load capacity/rated load	Q	t		2
	1.6	Load centre distance	C	mm		600
	1.8	Load distance, centre of drive axle to fork	x	mm		895 (2)
	1.9	Wheelbase	Y	mm		1344
<b>Weight</b>	2.1	Service weight (battery included)		Kg	660 (3)(4)	720 (3)(4)
	2.2	Axle loading, laden (front / rear)		Kg	969 / 1691	980 / 1740
	2.3	Axle loading, unladen (front / rear)		Kg	530 / 130	585 / 135
<b>Wheels and frame</b>	3.1	Tyres: solid rubber, superelastic, pneumatic, polyurethane				Large band Topthane
	3.2	Tyre size, front		mm		260 x 85 / 125 x 50
	3.3	Tyre size, rear		mm		85x70
	3.5	Wheels, number front rear (x = driven wheels)				1X - 2/4
	3.6	Tread, front	b10	mm		560
	3.7	Tread, rear	b11	mm		390
	<b>Dimensions</b>	4.2	Height, mast lowered	h1	mm	
4.3		Free lift	h2	mm		---
4.4		Lift	h3	mm		130
4.5		Height, mast extended	h4	mm		---
4.6		Initial lift	h5	mm		---
4.8		Seat height / stand height	h7	mm		---
4.9		Height of tiller in drive position (min. / max.)	h14	mm		1470
4.15		Height of forks from ground	h13	mm		85
4.19		Overall length	l1	mm	1799	1912-2286 (1)
4.20		Length of face of forks	l2	mm	649	762-1136 (1)
4.21		Overall width	b1	mm		770
4.22		Fork dimensions	sl11	mm		60 x 170 x 1150
4.24		Fork - carriage width	b3	mm		---
4.25		External fork widths	b5	mm		560
4.32		Ground clearance, centre of wheelbase	m2	mm		35
4.34	Aisle width for pallets 800 x 1200 crossways	Ast	mm	2049	2184-2543 (1)	
4.35	Turning radius	Wa	mm	1543 (2)	1679-2038 (1)(2)	
<b>Performance</b>	5.1	Travel speed (laden / unladen)		Km/h	6 / 6	6 / 6 - 7,5 / 7,5 (1)
	5.2	Lift speed (laden / unladen)		m/s		0,02 / 0,07
	5.3	Lowering speed (laden / unladen)		m/s		0,11 / 0,05
	5.7	Gradeability (laden / unladen)		%		---
	5.8	Max. gradeability (laden / unladen)		%		7 / 17
	5.10	Service brake				Electric
<b>Electric motor</b>	6.1	Traction motor, power KB 60'		KW		1,8 AC
	6.2	Lifting motor, performance 15% ED		KW		2,2
	6.3	Battery DIN 43531/35/36 A, B, C,				yes
	6.4	Tension / nominal capacity		V / Ah		24/240 - 270
	6.5	Battery weight (± 5%)		Kg		215 (4) - 245 (5)
<b>Altri dati</b>	8.1	Control type				Electric AC
	8.4	Sound level at the driver's ear according to DIN 10 053		dB/(A)		<70

Ast comprende "a" (spazio di manovra) = 200 mm ed è inteso per posto pallet vuoto  
 (1) Il primo valore indica la pedana ripiegata, il secondo abbassata per trasporto operatore  
 (2) Con forche abbassate = + 49mm  
 (3) Valori senza operatore  
 (4) Valore riferito alla batteria da 240 Ah  
 (5) Valore riferito alla batteria da 270 Ah